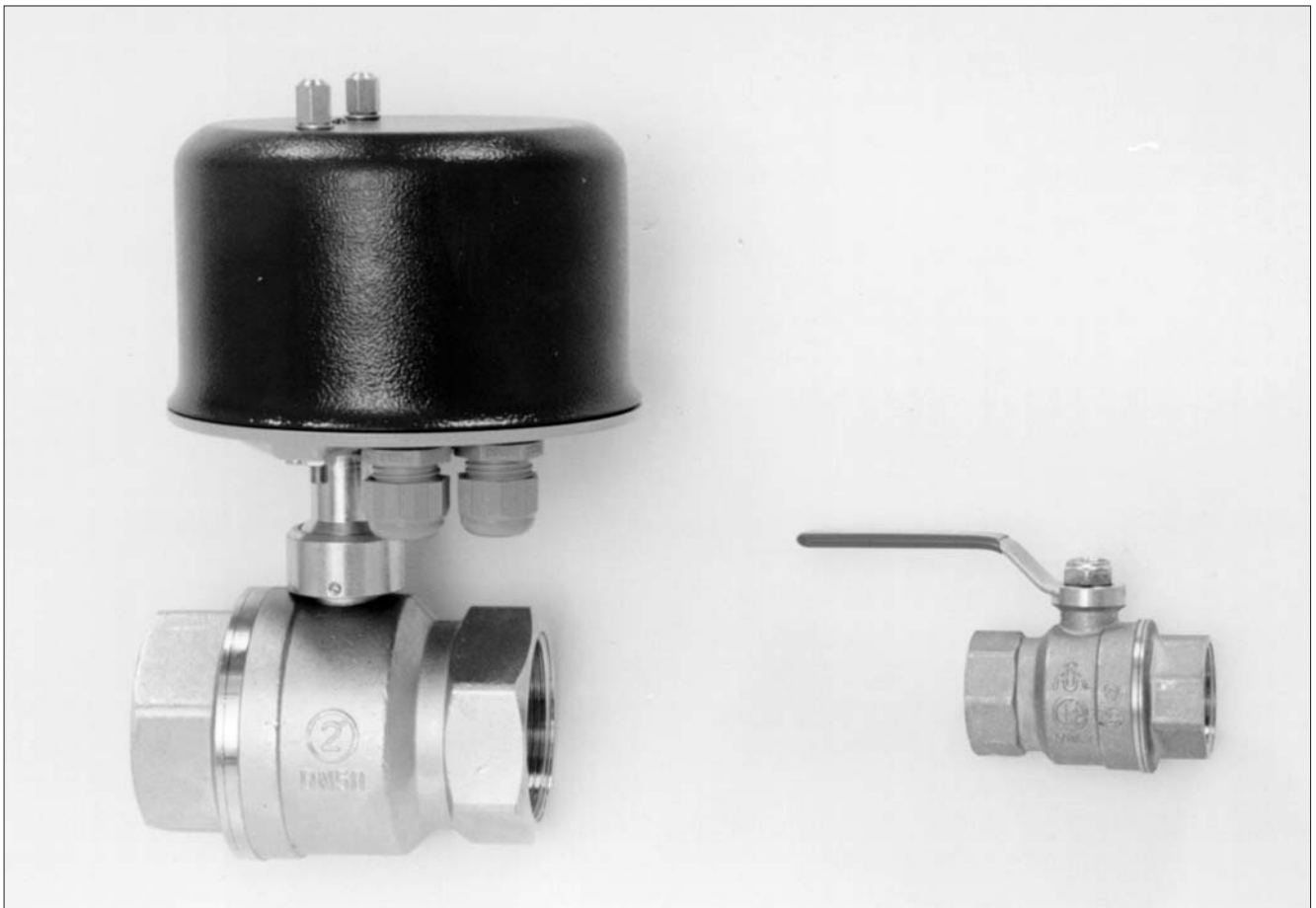
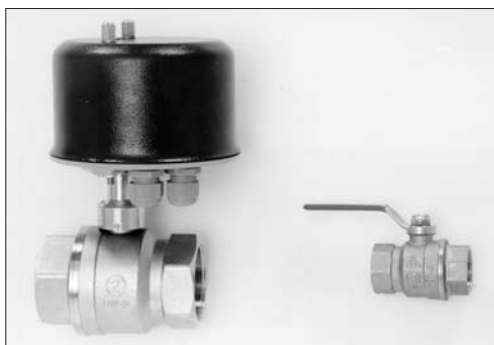


01 - 09.1

07.00.GB

**Ball valves
R 250 D, R 950, R 910
Giacomini**





Ball valves R 250 D, R 950 D, R 910 Giacomini

Description

Giacomini ball valves with lever handle or electromechanic actuator are designed to shut-off of flow of non-aggressive or aggressive liquids, gases and vapours without abrasive particles.

Versions R 250 D and R 750 D (with lever handle only) can be used for heating gases (natural gas, lighting gas, propan-butan) up to pressure nominal of PN 4.

Technical data

Series	R 250 D	R 950 D	R 910
Nominal size range	DN 65, 80, 100	DN 10, 15, 20, 25, 32, 40, 50	
Nominal pressure	PN 40		PN 25
Body material	Chrome-plated brass		Brass
Ball material	Nickel-plated and chrome-plated brass		
Ball sealing material	Polytetrafluoretylen		
Stem sealing	Viton O-ring and PTFE		
Connection	Internal threaded coupling		
Process medium max. temp.	-40 to 185°C (max. 150°C for steam)		
Actuating	Lever handle	Lever handle or electromechanic actuator	

Valve complete specification No. for ordering

		R	XXX X	/	XXXXX	XX	/	185	-	XXX
Series	R 250 D		250 D							
	R 950 D		950							
	R 910		910							
Actuating	Lever handle				R					
	Electromechanic actuator PPN 2 (R 750 D, R 850/3)				PPN 2					
Nominal pressure	PN 25 (R 910)					25				
	PN 40 (R 250 D, R 950 D)					40				
Max. operating temperature °C								185		
Nominal size	DN (acc. to tables of dimensions)									XXX

Note: Ball valve R 950 substitutes for R 750 D and ball valve R 910 for R 850/3.

Dimensions and Kvs values of ball valves series R 910, PN 25

DN	C	L	L ₁	OK	V	V ₁	V ₂	D	Kvs
10	G 3/8	44.3	78	20	32	18	45	10	6.7
15	G 1/2	53		25	36.1	22		15	12.7
20	G 3/4	59.5	96	31	47.4	27	46	20	24.6
25	G 1	74		38	51.4	31		25	48.5
32	G 1 1/4	83	138	47	56.4	36	48	32	98
40	G 1 1/2	94.5		54	61.6	44		40	140
50	G 2	108.5		67	69.1	52		50	211

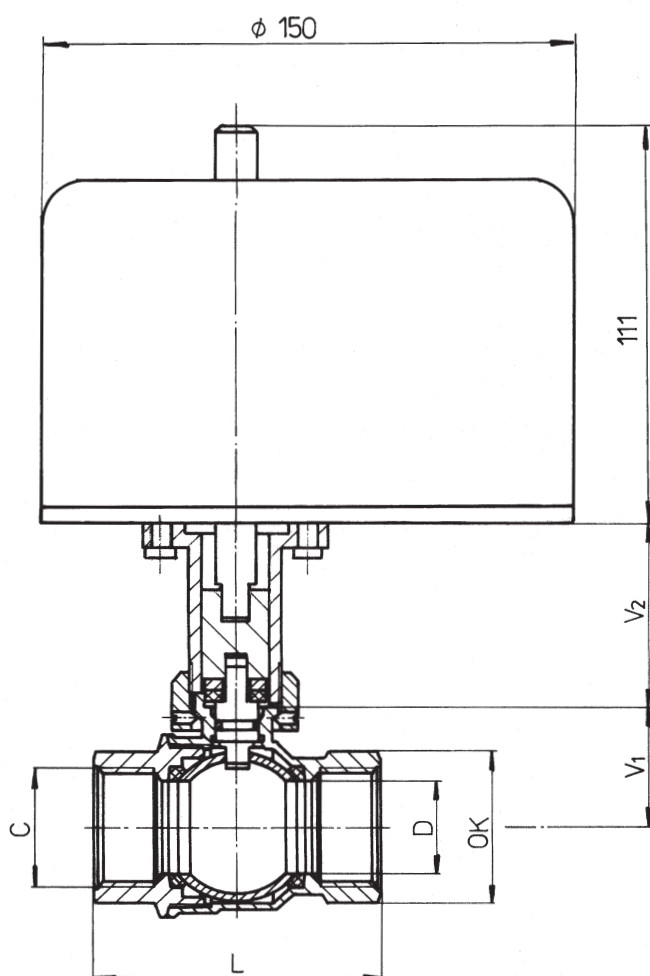
Dimensions and Kvs values of ball valves series R 950, PN 40

DN	C	L	L ₁	OK	V	V ₁	V ₂	D	Kvs
10	G 3/8	49.3	78	21	32.8	18	45	10	6.7
15	G 1/2	59.7		26	36.1	22		15	12.7
20	G 3/4	68.2	96	32	47.4	27	46	20	24.6
25	G 1	81.4		41	51.4	31		25	48.5
32	G 1 1/4	95	138	50	56.4	36	48	32	98
40	G 1 1/2	103.8		55	70.6	52		40	140
50	G 2	125.8		69	78.1	60		50	211

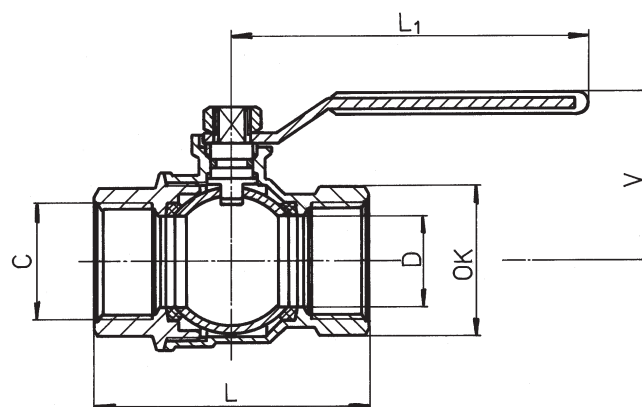
Dimensions and Kvs values of ball valves series R 250 D, PN 40

DN	C	L	L ₁	OK	V	V ₁	V ₂	D	Kvs
65	G 2 1/2	143	172	83	101	---	---	58	240
80	G 3	160		98	109			68	269
100	G 4	203	185	122	131			90	461

Dimensions of series R 910, R 950 with electric actuator PPN 2



Dimensions of series R 910, R 950 and R 250 D with lever handle



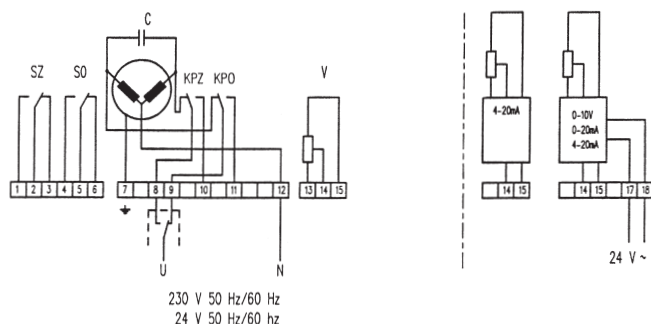


Electric actuators PPN 2 Ekorex

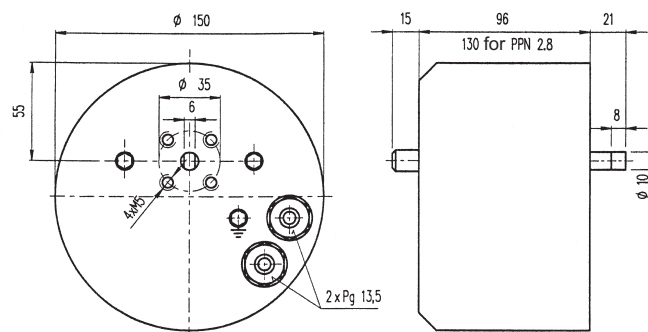
Technical data

Type	PPN 2 XX.XX.XX
Voltage	230 V or 24 V
Frequency	50 ± 2 Hz
Power consumption	Max. 9 VA
Control	3-position control
Nominal torque	35 Nm
Angle of turning	90°
Enclosure	IP 65
Process medium max. temperature	185°C
Ambient temperature range	-20 to 60°C
Ambient humidity range	5 - 100 % with condensation
Weight	3 kg

Wiring diagram of actuator



Dimensions of actuator PPN 2



Specification of actuator PPN 2

PPN 2	X	X	X	X	X	X	Torque [Nm]	Closing time [s/90°]	Motor	Power consumption
	3	5					35	90	SMR 300 / 300	5,5 VA
	6	5					35	60	SMR 300 / 600	7 VA
	8	5					35	30	SMR 300 / 800	9 VA
	0						230 V, 50 Hz	Motor supply voltage		
	1						230 V, 60 Hz			
	2						24 V, 50 Hz			
	3						24 V, 60 Hz			
	2						KPO; KPZ	Number of microswitches		
	4						KPO; KPZ; SO; SZ			
	0						Without equipment	Independent feeding 24 V		
	1						0 - 10 V			
	2						0 - 20 mA			
	3						4 - 20 mA			
	4						4 - 20 mA			
	5						0 - 100 Ω			
	6						0 - 1000 Ω	Resistance signal		
	0						Milled shaft 0 - 10			



LDM, spol. s r.o.
Litomyšlská 1378
560 02 Česká Třebová
Czech Republic

tel.: +420 465 502 511
fax: +420 465 533 101
E-mail: sale@ldm.cz
<http://www.ldm.cz>

LDM, spol. s r.o.
Office in Prague
Podolská 50
147 01 Praha 4
Czech Republic

tel.: +420 241 087 360
fax: +420 241 087 192

LDM, spol. s r.o.
Office in Ústí nad Labem
Mezní 4.
400 11 Ústí nad Labem
Czech Republic

tel.: +420 475 650 260
fax: +420 475 650 263

LDM servis, spol. s r.o.
Litomyšlská 1378
560 02 Česká Třebová
Czech Republic

tel.: +420 465 502 411-3
fax: +420 465 531 010
E-mail: servis@ldm.cz

LDM, Polska Sp. z o.o.
Modelarska 12
40 142 Katowice
Poland

tel.: +48 32 730 56 33
fax: +48 32 730 52 33
mobile: +48 601 354 999
E-mail: ldmpolska@ldm.cz

LDM Bratislava s.r.o.
Mierová 151
821 05 Bratislava
Slovakia

tel.: +421 2 43415027-8
fax: +421 2 43415029
E-mail: ldm@ldm.sk
<http://www.ldm.sk>

LDM - Bulgaria - OOD
z. k. Mladost 1
bl. 42, floor 12, app. 57
1784 Sofia
Bulgaria

tel.: +359 2 9746311
fax: +359 2 9746311
GSM: +359 888 925 766
E-mail: ldm.bg@stark-net.net

OOO "LDM Promarmatura"
Moskovskaya street,
h. 21, Office No. 520
141400 Khimki
Russian Federation

tel.: +7 495 777 22 38
fax: +7 495 777 22 38
E-mail: inforus@ldmvalves.com

TOO "LDM"
Lobody 46/2
Office No. 4
100008 Karaganda
Kazakhstan

tel.: +7 7212 566 936
fax: +7 7212 566 936
mobile: +7 701 738 36 79
E-mail: sale@ldm.kz
<http://www.ldm.kz>

LDM Armaturen GmbH
Wupperweg 21
D-51789 Lindlar
Germany

tel.: +49 2266 440333
fax: +49 2266 440372
mobile: +49 177 2960469
E-mail: ldmarmaturen@ldmvalves.com
<http://www.ldmvalves.com>

Your partner