



01 - 02.6
01.04.GB

SHUT-OFF VALVES

UV 116 and UV 216





UV 116 UV 216

Shut-off valves

DN 15 - 300
PN 16 and 25

Shut-off valves UV 116, UV 216 are designed to close the medium flow. The valves excel with high tightness and its compact construction. The valves are equipped with back seat enabling the packing replacing during the valve operating with the valve fully open.

Application

The valves are designed for heating and other industries especially in hot-water applications and UV 216 even in steam applications. The wide range of diameter nominal enable the valve to be used from the minimum flow rates (eg. sampling valves), to the highest flow rates in main pipes.

Process media

The valves are suitable for water, steam (UV 216 only), air and other neutral media compatible with material of the valve body and its inner parts.

Installation

The valves can be piped in any position but a necessary space for operating the hand wheel shall be kept. The flow direction is indicated with the arrows on the valve body. Reverse (alternate) flow is permissible with limited values of differential pressure.

Technical data		
Series	UV 116	UV 216
Execution	Shut-off valve, straight-through	
Nominal diameter range	DN 15 to 300	DN 15 to 200
Nominal pressure	PN 16	PN 25
Body material	Grey cast iron EN-JL1040	Spheroidal cast iron EN-JS1025
Plug material	Stainless steel 1.4021	
Seat material	Stainless steel 1.4006	
Stem material	Stainless steel 1.4021	
Packing	Graphite	
Operating temp. range	+2 to +300°C	+2 to +350°C
Connection	Type B1 (raised faced flange) acc. to ČSN-EN 1092-2 (1/1999) Face to face dimensions acc. to ČSN-EN 558-1 (3/1997), section 1	
Type of plug	Disc plug, pressure-balanced for DN 200 to 300	
Flow characteristic	on-off	
Leakage rate	Acc. to DIN 3230 (4/1982) - leakage rate class BN1	

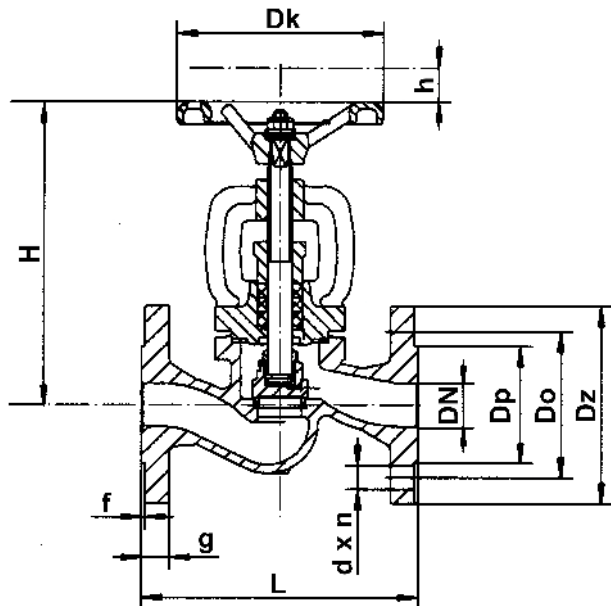
Kvs, differential pressure values and loss coefficient z (zeta)

DN	Kvs [m ³ /h]	z	Δp_{max} MPa PN 16	Δp_{max} MPa PN 25	Δp_{max} MPa PN 16, 25
15	5.9	2.3	1.60	2.50	1.60
20	7.4	4.7	1.60	2.50	1.60
25	13.0	3.7	1.60	2.50	1.60
32	18.0	5.2	1.60	2.50	1.60
40	30.0	4.5	1.60	2.50	1.60
50	41.0	5.9	1.60	2.50	1.60
65	79.0	4.6	1.60	2.50	1.60
80	115.0	4.9	1.60	2.50	1.60
100	181.0	4.9	1.60	2.50	1.60
125	225.0	7.7	1.60	2.50	1.60
150	364.0	6.1	1.60	2.10	1.60
200	690.0	5.4	1.40	1.40	1.00
250	1010.0	6.1	1.60	---	0.60
300	1460.0	6.1	1.60	---	0.40

Δp_{max} - max. differential pressure value for normal flow direction
 Δp_z - max. differential pressure value for reverse flow direction

Dimensions and weights for UV x16

DN	PN 16						PN 25						PN 16, PN 25					
	Dz [mm]	Dp [mm]	Do [mm]	n [mm]	d [mm]	g [mm]	Dz [mm]	Dp [mm]	Do [mm]	n [mm]	d [mm]	g [mm]	f [mm]	L [mm]	H [mm]	h [mm]	m [mm]	
15	95	46	65			14	95	46	65			14			130	167	5	3,3
20	105	56	75		14	16	105	56	75		14	16	2		150	167	5	3,9
25	115	65	85			16	115	65	85			16			160	175	8	5,0
32	140	76	100	4		18	140	76	100	4		18			180	186	9	6,6
40	150	84	110			18	150	84	110			19			200	235	12	8,4
50	165	99	125			20	165	99	125		19	19			230	248	13	12,0
65	185	118	145		19	20	185	118	145			19			290	260	16	17,3
80	200	132	160			22	200	132	160			19			310	291	20	22,7
100	220	156	180			24	235	156	190	8		19	3		350	338	25	35,8
125	250	184	210	8		26	270	184	220			19			400	384	32	52,8
150	285	211	240			26	300	211	250			20			480	429	38	74,2
200	340	266	295		23	30	360	274	310	12	28	22			600	529	50	126
250	405	319	355	12		32	---	---	---	---	---	---			730	638	62	200
300	460	370	410		28	32	---	---	---	---	---	---	4		850	710	100	315



Specification code for ordering shut-off valves UV 116 and UV 216

		XX	XXX	X	XX	XX	/	XXX	-	XXX
1. Type of valve	Shut-off valve	UV								
2. Series	Shut-off valve with grey cast iron EN-JL1040		116							
	Shut-off valve with spheroidal cast iron EN-JS1025		216							
3. Type of actuating/packing	Hand wheel / graphite			S						
4. Connection	Flange with raised faced flange				1					
5. Body / bonnet material	Grey cast iron EN-JL1040		116			3				
	Spheroidal cast iron EN-JS1025		216			4				
6. Nominal pressure	PN 16		116				16			
	PN 25		216				25			
7. Max. operating temp. °C	300°C		116					300		
	350°C		216					350		
8. Nominal diameter	DN 15 to 300		116							XXX
	DN 15 to 200		216							XXX

Order example: UV 216 S14 25/350-65

The valves can be also ordered under their simplified codes:

Example: UV 116S DN 25 stands for shut-off valve PN 16, DN 25

UV 216S DN 65 stands for shut-off valve PN 25, DN 65

Max. permissible pressure values [MPa]

Material	PN	Temperature [°C]					
		120	150	200	250	300	350
Grey cast iron EN-JL1040 (EN-GJL-250)	16	1,60	1,44	1,28	1,12	0,96	---
Spheroidal cast iron EN-JL1025 (EN-GJS-400-18-LT)	25	2,50	2,43	2,30	2,18	2,00	1,75



LDM, spol. s r.o.
Litomyšlská 1378
560 02 Česká Třebová
Czech Republic

tel.: +420 465 502 511
fax: +420 465 533 101
e-mail: sale@ldm.cz

LDM, spol. s r.o.
Office Prague
Podolská 50
147 01 Praha 4
Czech Republic

tel.: +420 241 087 360
fax: +420 241 087 192
e-mail: sale@ldm.cz

LDM, spol. s r.o.
Office Ústí nad Labem
Ladova 2548/38
400 11 Ústí nad Labem
- Severní Terasa
Czech Republic

tel.: +420 602 708 257
e-mail: sale@ldm.cz

LDM servis, spol. s r.o.
Litomyšlská 1378
560 02 Česká Třebová
Czech Republic

tel.: +420 465 502 411-3
fax: +420 465 531 010
e-mail: servis@ldm.cz

LDM Bratislava s.r.o.
Mierová 151
821 05 Bratislava
Slovakia

tel.: +421 2 43415027-8
fax: +421 2 43415029
e-mail: ldm@ldm.sk

LDM, Polska Sp. z o.o.
ul. Bednorza 1
40 384 Katowice
Poland

tel.: +48 32 730 56 33
fax: +48 32 730 52 33
mobile: +48 601 354 999
e-mail: ldmpolska@ldm.cz

LDM Armaturen GmbH
Wupperweg 21
D-51789 Lindlar
Germany

tel.: +49 2266 440333
fax: +49 2266 440372
mobile: +49 177 2960469
e-mail: ldmmarmaturen@ldmvalves.com

OOO "LDM Promarmatura"
Jubilejnyj prospekt,
dom.6a, of. 601
141400 Khimki Moscow Region
Russia

tel.: +7 4957772238
fax: +7 4956662212
mobile: +7 9032254333
e-mail: inforus@ldmvalves.com

TOO "LDM"
Shakirova 33/1
kab. 103
100012 Karaganda
Kazakhstan

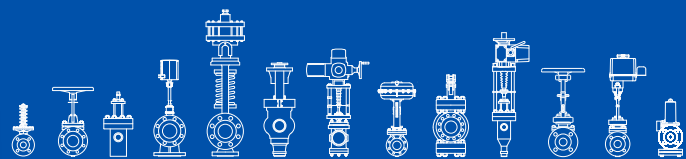
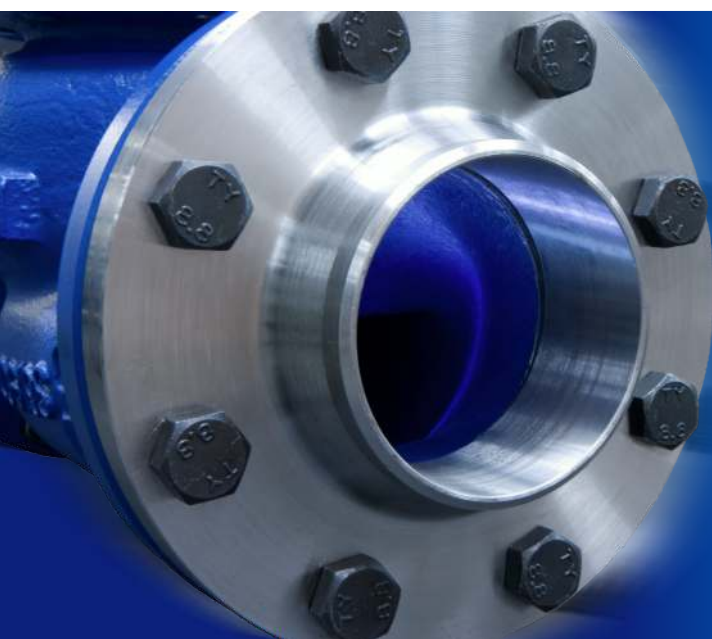
tel.: +7 7212 566 936
fax: +7 7212 566 936
mobile: +7 701 738 36 79
e-mail: sale@ldm.kz

LDM - Bulgaria - OOD
z. k. Mladost 1
bl. 42, floor 12, app. 57
1784 Sofia
Bulgaria

tel.: +359 2 9746311
fax: +359 2 9746311
mobile: +359 888 925 766
e-mail: ldm.bg@ldmvalves.com

www.ldmvalves.com

LDM reserves the right to modify or improve the designs or specifications of such products at any time without notice.



POWER THROUGH IDEAS